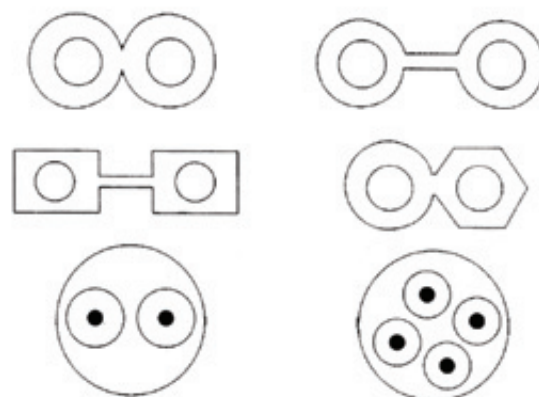
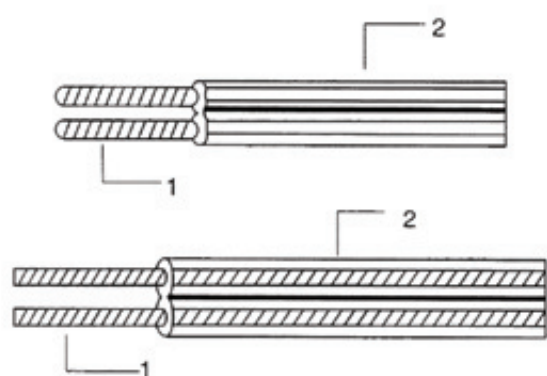


**Formation:** The central part consists of 1 to 4 conductors depending on requirements each of which is composed of bare or tinned twisted copper wires and each of the conductors with the PVC insulation layer, and Aluminum foil if required. If the shield is needed, it will be enveloped. The outermost side is the transparent protective cover of PVC (Red or Black). This type of cable is applicable to acoustic equipment.





ITEM NO	AWG	FEATURE SECTION(mm <sup>2</sup> )	NO. OF CENTRAL CON DIA. CONDUCTORS(mm)	OUTER DIAMETER(mm)
LS-4001	4	21.00	0.12x38x7x7	10.00
LS-4002	6	13.00	0.12x24x7x7	7.80
LS-4003	8	8.63	0.12x105x7	6.70
LS-4004	10	5.26	0.12x66x7	5.50
LS-4005	12	3.30	0.12x42x7	4.50
LS-4006	14	2.00	0.12x26x7	3.50
LS-4007	16	1.30	0.12x16x7	3.20
LS-4008	18	0.75	0.12x66	2.50
LS-4009	20	0.42	0.12x37	2.00
LS-4010	22	0.25	0.15x14	2.00
LS-4011	24	0.12	0.15x7	1.60
LS-4012	4	21.00	0.12x38x7x7x2C	10.00x20.00
LS-4013	6	13.00	0.12x24x7x7x2C	7.80x15.60
LS-4014	8	7.50	0.12x95x7x2C	6.50x13.00
LS-4015	10	5.00	0.12x59x7x2C	5.50x11.00
LS-4016	12	3.00	0.12x37x7x2C	4.00x8.00
LS-4017	14	2.50	0.12x32x7x2C	4.00x8.00
LS-4018	14	2.00	0.12x24x7x2C	3.50x7.00
LS-4019	16	1.50	0.12x18x7x2C	3.00x6.00
LS-4020	16	1.00	0.12x15x7x2C	3.00x6.00
LS-4021	18	0.75	0.12x66x2C	2.60x5.20
LS-4022	20	0.50	0.12x42x2C	2.60x5.20
LS-4023	22	0.35	0.12x28x2C	2.20x4.40
LS-4024	24	0.25	0.12x22x2C	2.00x4.00
LS-4025	26	0.12	0.12x11x2C	1.60x3.20